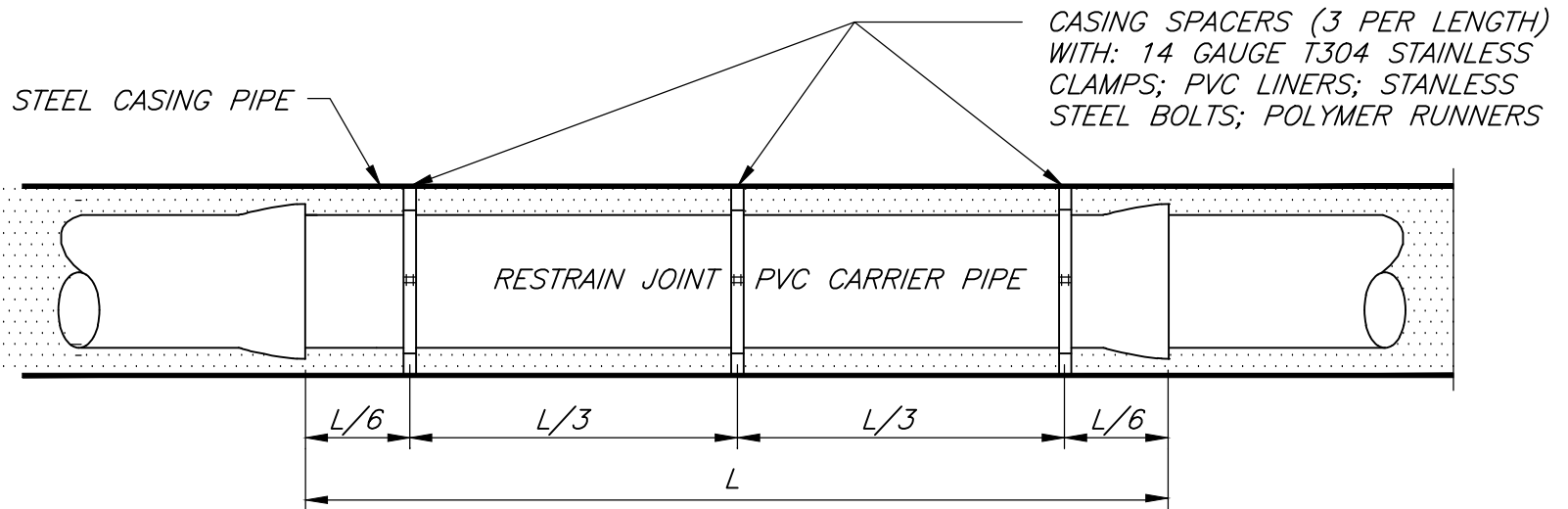
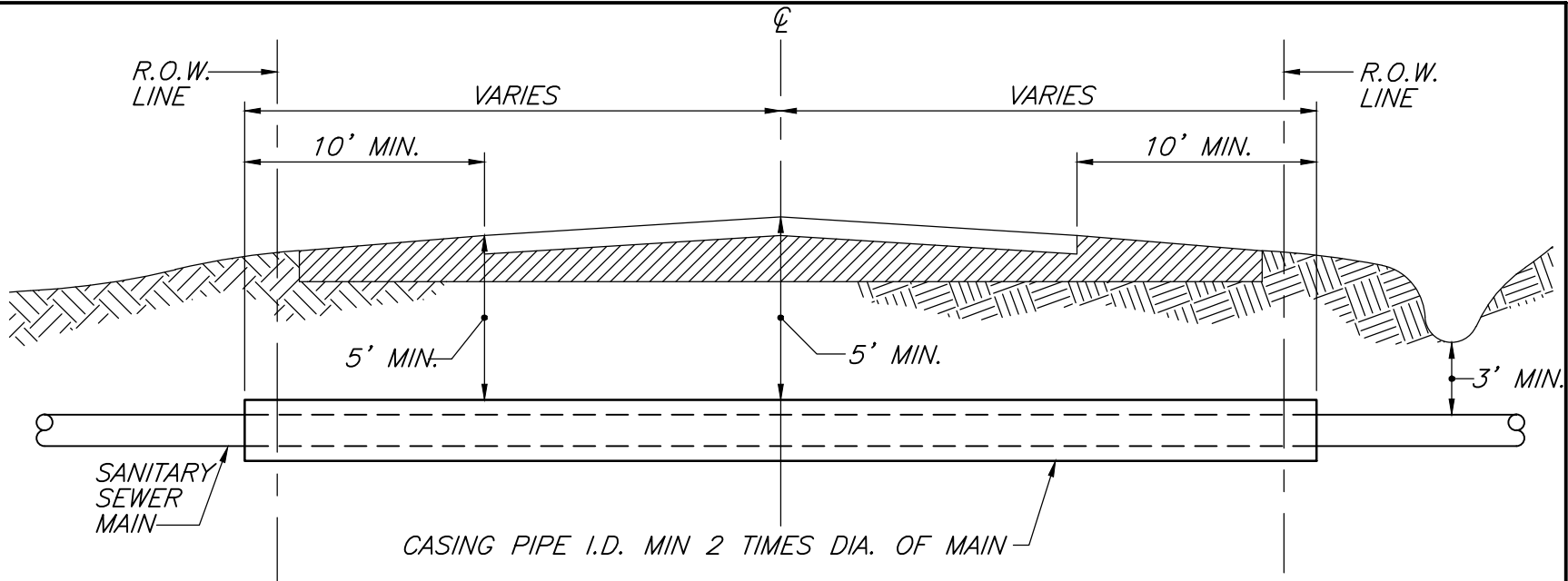


REVISIONS			
NO.	DATE	DESCRIPTION	BY

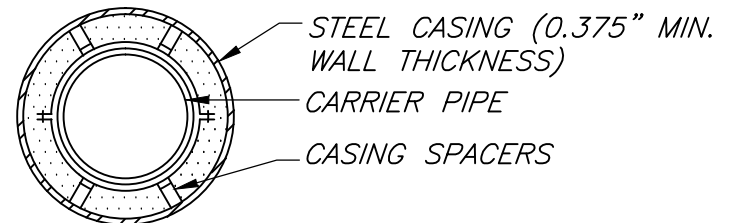
ISSUE DATE: JUNE 2015

COMMENTS



NOTES:

- 1) FILL VOID WITH NYSDOT ITEM #204.02 CONTROLLED LOW STRENGTH MATERIAL (COMPRESSIVE STRENGTH: 50-100 PSI)



TYPICAL ROAD CROSSING WITH PVC CARRIER PIPE

N.T.S.

TOWN OF BATAVIA
SANITARY SEWER DETAILS

TYPICAL ROAD CROSSING WITH PVC CARRIER PIPE

DRAWING S-14A