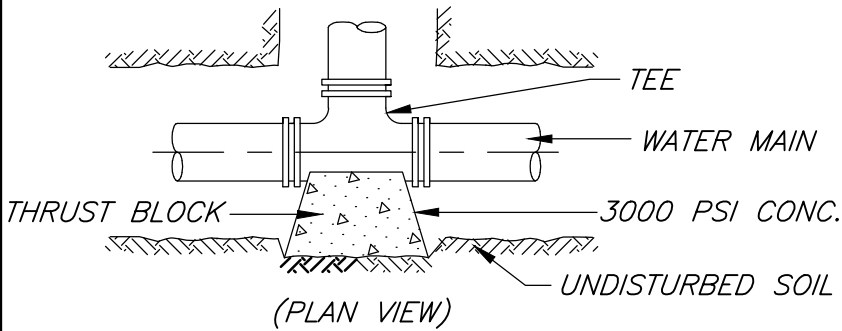


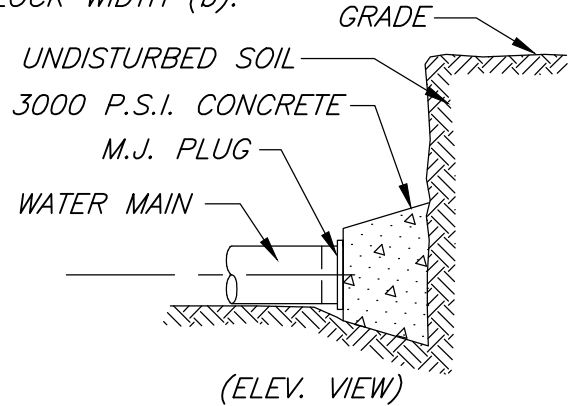
MINIMUM AREA OF BEARING FACE OF CONCRETE THRUST BLOCK (IN SQ.FT.) TO BE CALCULATED IN RELATIONSHIP TO BEARING CAPACITY OF SOIL BLOCKS TO BE POURED AGAINST UNDISTURBED SOIL						
PIPE SIZE	90° BEND	45° BEND	22-1/2° BEND	11-1/4° BEND	TEE/ T.S.&V.	PLUG
4",6"	6	3	3	3	4	5
8"	10	6	3	3	8	8
12"	19	7	4	3	10	16
16"	24	13	7	3	19	19

NOTES:

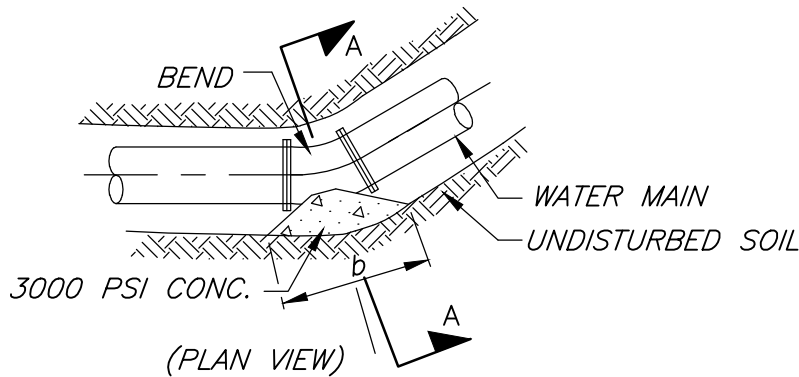
1. BLOCK HEIGHT (h) SHOULD BE EQUAL TO OR LESS THAN ONE-HALF THE TOTAL DEPTH TO THE BOTTOM OF THE BLOCK, (HT), BUT NOT LESS THAN PIPE DIAMETER (D).
2. BLOCK HEIGHT (h) SHOULD BE TWO TIMES THE BLOCK WIDTH (b).



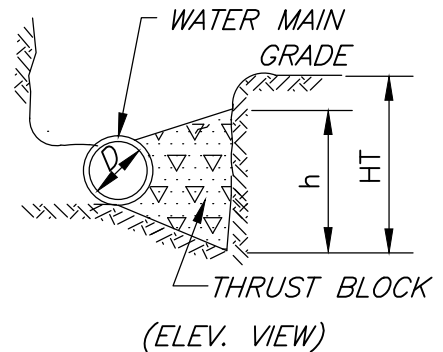
THRUST BLOCK FOR TEE



THRUST BLOCK FOR PLUG



THRUST BLOCK AT BENDS



SECTION A-A

TYPICAL THRUST BLOCK DETAIL

NOTES:

N.T.S.

- 1) DIP FITTINGS SHALL BE WRAPPED WITH 6 MIL. THICK POLYETHYLENE, 2 FEET BEYOND END OF FITTING ON PVC PIPE.
- 2) PIPE RESTRAINER SHALL BE USED AT ALL FITTING TO PVC PIPE CONNECTIONS.
- 3) FLUOROCARBON COATED (BLUE) BOLTS AND NUTS SHALL BE USED AT ALL FITTINGS.
- 4) REFER TO MATERIAL LIST, W-03.

ISSUE DATE: JUNE 2015		TOWN OF BATAVIA
		WATER DETAILS
REVISIONS	DATE	COMMENTS
		TYPICAL THRUST BLOCK DETAIL
		DRAWING W-08