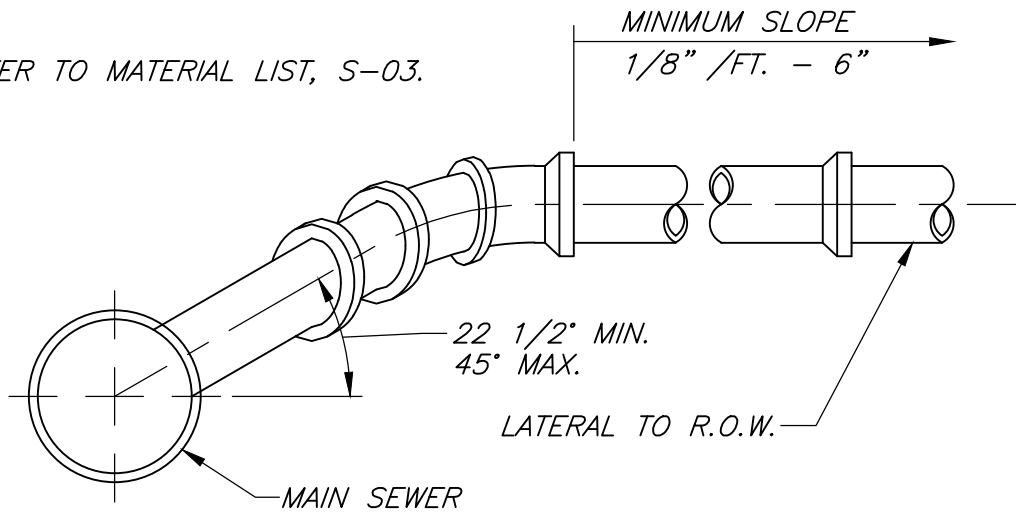


NOTE: REFER TO MATERIAL LIST, S-03.



## WYE BRANCH CONNECTION

N.T.S.

|                       |      |                        |
|-----------------------|------|------------------------|
| ISSUE DATE: JUNE 2015 |      | TOWN OF BATAVIA        |
|                       |      | SANITARY SEWER DETAILS |
| REVISIONS             | DATE | COMMENTS               |
|                       |      |                        |
|                       |      |                        |
|                       |      |                        |
|                       |      |                        |
|                       |      | WYE BRANCH CONNECTION  |
|                       |      | DRAWING S-05           |